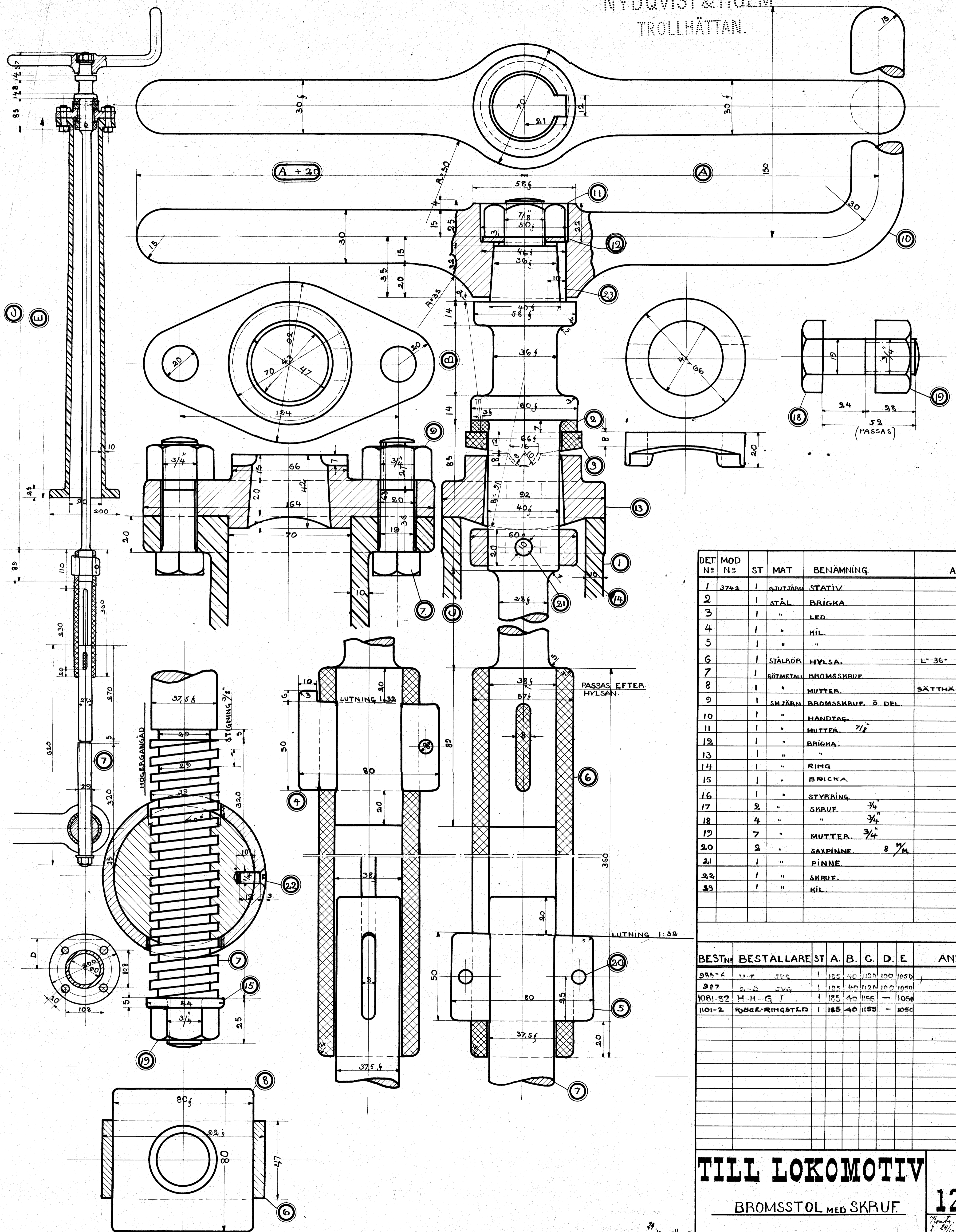


NYDOVIST & HOLM  
TROLLHÄTTAN.



DET. N <sup>o</sup>	MOD. N <sup>o</sup>	ST	MAT.	BENÄMNING.	ANM.
1	3742	1	GJUTJÄRN	STATIV	
2		1	STÅL	BRICKA	
3		1	"	LED	
4		1	"	HIL	
5		1	"	"	
6		1	STÅLBÖR	HVLSA	L <sup>o</sup> 36 - 57x38
7		1	GÖTMETALL	BROMSSKRUF	
8		1	"	MUTTER	SÄTTHÄRDAS
9		1	SMJÄRN	BROMSSKRUF. 5 DEL.	
10		1	"	HANDTAG	
11		1	"	MUTTER. 7/8"	
12		1	"	BRICKA	
13		1	"	"	
14		1	"	RING	
15		1	"	BRICKA	
16		1	"	STYRRING	
17		2	"	SKRUF. 3/4"	
18		4	"	" 3/4"	
19		7	"	MUTTER. 3/4"	
20		2	"	SAXPINNE. 8 7/8"	
21		1	"	PINNE	
22		1	"	SKRUF.	
23		1	"	HIL.	

BEST. N <sup>o</sup>	BESTÄLLARE	ST	A.	B.	C.	D.	E.	ANM.	MF. N <sup>o</sup>
995-4	H-H	1	185	40	1155	100	1050		
997	H-H	1	185	40	1155	100	1050		
1081-82	H-H-G T	1	185	40	1155	-	1050		
1101-2	KÖRRE-RINGSTED	1	185	40	1155	-	1050		

**TILL LOKOMOTIV L. 12671**  
BROMSSTOL MED SKRUF.  
SKALA. 1:5, 1:1.  
KOP. 24/10/11  
H.C. Larsson

*H. Westberg*